

ADIMEC-2000c

Real time, digital 2-Megapixel color camera for fast machine vision applications

- 1920 x 1080 pixels with up to 32 progressive images per second
 - Full a-synchronous image capture
 - Small outline & low power consumption
 - Unparalleled image quality



- For host based color processing



Member of a fully compatible product family sharing a common mechanical, optical, hardware and software interface



Adimec-1000c
1004x1004@50 fps



Adimec-1600c
1600x1200@34fps



Adimec-4020c
2048x2048@16fps

Sales Europe & Far East
ADIMEC Europe
The Netherlands
Phone: (+31) 40-2353920
Fax: (+31) 40-2353925
E-mail: saleseu@adimec.com

Sales North America
ADIMEC USA
Phone: (+1) 781-279-0770
Fax: (+1) 781-279-0571
E-mail: salesus@adimec.com

Sales Japan
ADIMEC Japan
Phone: (+81) 3-5968-8377
Fax: (+81) 3-5968-8388
E-mail: salesjp@adimec.com

ADIMEC-2000c

Adimec is a prominent international supplier of high performance video cameras for use in machine vision, medical and military applications. Adimec targets OEM companies with a leading position in their market that consider performance and reliability of the product and the supplier to be critically important. Adimec has over ten years experience translating demanding customer requirements into innovative, reliable and high performance camera products.

Our mission is to provide superior camera products to companies around the world that view image quality and product reliability as essential to their applications.



FEATURES

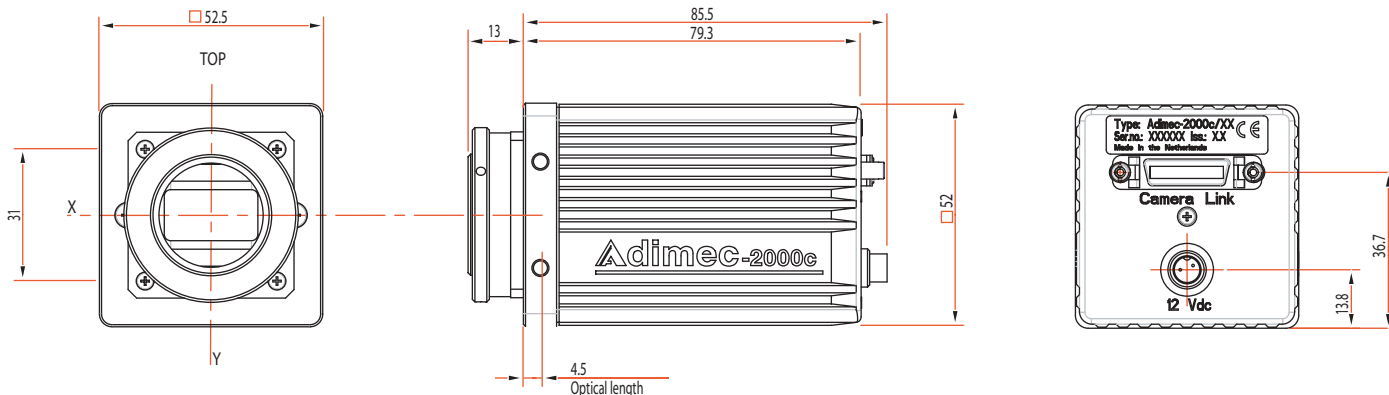
- 1920 x 1080, 7.4 um square pixels
- Interline CCD with microlenses and Bayer color filter
- Very stable and accurate sensor mounting
- Adimec-2000c/S: 17 fps via single tap output
- Adimec-2000c/D: 33 fps via dual tap output
- Excellent channel matching characteristics
- Continuous or asynchronous operation
- Defect pixel correction
- Built-in test signal generator
- Camera Link Interface
- Small outline & low power consumption
- High product reliability through rugged design

APPLICATIONS

- Semiconductor inspection
- Electronics manufacturing
- LCD measurement
- Traffic
- Compact customer specific versions can be made available for use in medical, defense imaging

SPECIFICATIONS

Resolution, pixel size	1920 x 1080, 7.4 um square pixels
Frame rate @ full resolution	Adimec-2000c/S: 17 fps via single tap output Adimec-2000c/D: 33 fps via dual tap output
Sensitivity in green @ 33 ms, 100% video	Typical 19.5 Lux
QE	Red: 30%@ 620 nm Green:34%@530 nm Blue: 43%@ 460 nm
Dynamic range (green)	> 60 dB
Gain range (overall)	1 to 8x in steps of 0.01
Gain range (per color channel)	1 to 4x in steps of 0.01
Power input range, dissipation	< 7 W @ 10 to 14 Vdc input
Data format (single/dual channel, 8, 10, 12 bit, 40 MHz)	CameraLink, Base configuration@CameraLink spec 1.0
Lens mount	C- mount, other mounts on request
Size	52.5 mm x 52.5 mm x 79.3 mm
Weight	250 grams
Operating temperature range	-10°C to + 40°C
Shock	10 g, half sine shape, 6-10 ms duration
Vibration	3 g, sinusoidal vibration sweeps 5-150 Hz
Compliance CE/UL	CE compliant.



ADIMEC:

Adimec is a leading worldwide supplier of high performance, innovative, and reliable camera products for use in:

- Machine Vision
- Medical Imaging
- Military Targeting and Observation

Adimec's mission is to serve leading OEM's around the world who view quality and reliability as essential to their success.

Contact us today to find out why top corporations rely on Adimec.

Visit our website: www.adimec.com